



SX2591, ULTRASONIC WIND SPEED & DIRECTION SENSOR

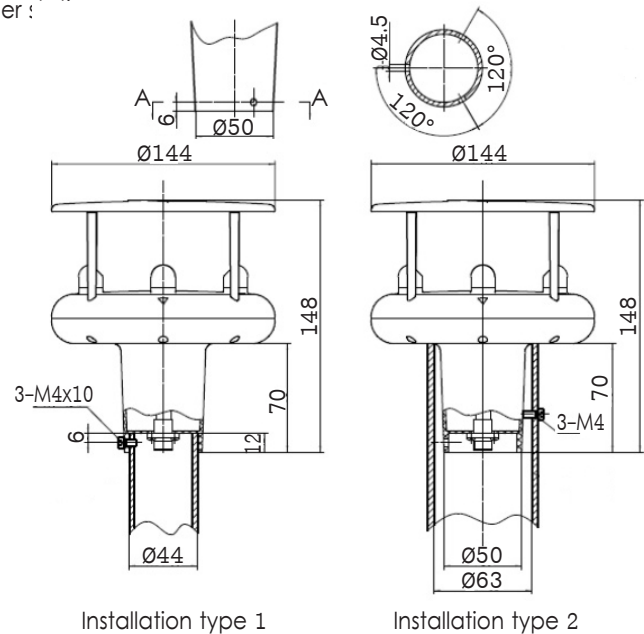
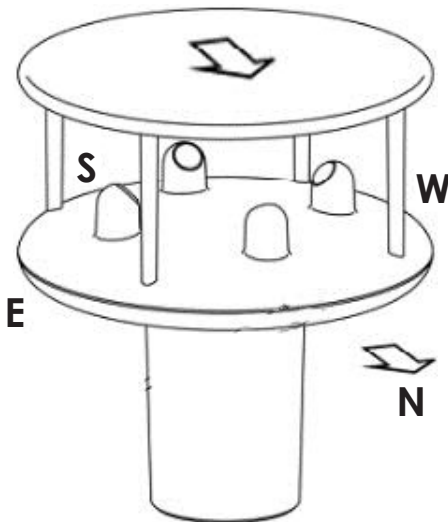
SX2591 Economical Ultrasonic Wind Sensor is a fully digital detector, high-precision sensors, integrated by the ultrasonic wind speed and direction sensors. It can accurately and quickly detect the wind speed, wind direction; built-in signal processing unit can output a corresponding signal in response to user needs, with the structure lightweight and compact, no moving parts, high-strength structural design can be accurately detected in the harsh climatic conditions, made the accurate and stable elements, low maintenance, an open communications protocol and so on. It can be widely used in meteorology, oceanography, environment, airports, ports, laboratories, industry and agriculture, and transportation and other fields.

Applications:

- ▶ Environmental monitoring
- ▶ Sea-going vessel
- ▶ Bridge & Tunnel
- ▶ Solar and wind power generation
- ▶ Wind resource assessment
- ▶ Drilling platform
- ▶ Automatic weather station
- ▶ Agriculture.

Features:

- ▶ Adapt to complex weather conditions
- ▶ No moving parts, long service life
- ▶ The surface preservative treatment
- ▶ Strong anti-interference
- ▶ High accuracy
- ▶ Automatic heating anti-frozen.



MODEL	SX2591
Power Supply	12-24VDC
Power consumption	<1W (Heating not activated); <3W (Heating activated)
Output Signal	RS232/RS485(Modbus/NMEA-0183),4-20mA(only for wind speed & direction) optional
Operating Temperature	-30°C - +70°C
Ingress Protection	IP66
Heating power	3W max.
Electronic compass	optional
Atmospheric pressure	optional
Dimension	Ø144X148mm
Weight (unpacked)	0.8kg
Main material	ASA

	WIND SPEED	WIND DIRECTION	ATMOSPHERIC PRESSURE
Range	0-45m/s,0-60m/s	0-360°	150-1100hPa
Resolution	0.01m/s	1°	0.1hPa
Accuracy	≤10m/s: ±0.2m/s >10m/s: <±2% the current value	±3°	±1 hPa
Starting Threshold	0.1m/s	0.1m/s	-
Extreme Wind Speed		60m/s	