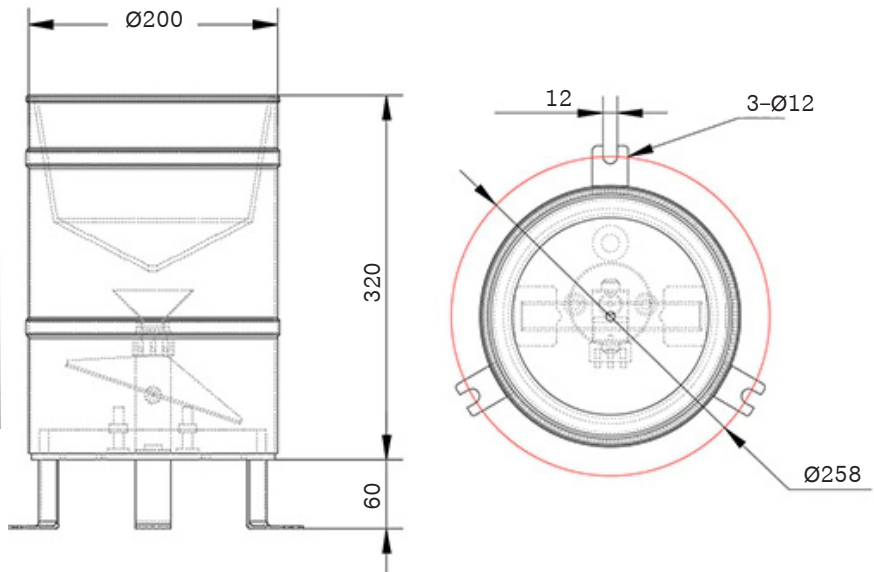




SX2600, METAL TIPPING BUCKET RAINFALL SENSOR RAIN GAUGE

The SX2600 Tipping Bucket Rainfall Sensor is an instrument for testing rainfall in the nature. In order to meet the requirement of information transmission, processing, recording and display, the amount of rainfall is converted to pulse output. It can be widely used in weather stations, hydrometric stations, agriculture & forestry, defense & field monitoring stations. It can provide the original data for flood-prevention, water-supply system, and reservoir water management in plant.



Applications:

- ▶ Agriculture
- ▶ Forestry
- ▶ Weather station
- ▶ Rainfall station.

| MODEL | SX2600 |
|-----------------------------------|---|
| Rainfall collector | Diameter: $\varnothing 200\text{mm}$, height: 350mm |
| Measured rainfall intensity | Max: 4mm/min |
| Allow rainfall intensity | Max: 10mm/min |
| Resolution | 0.1mm, 0.2mm |
| Accuracy (2mm/min) | $\pm 4\%$ |
| Maximum load voltage | 30VDC (pulse output) |
| Maximum load current | 20mA (pulse output) |
| Output | Reed switch pulses, RS485 (12-24VDC supply) |
| Operating temperature (no freeze) | -20 - +80°C |
| Main material | Collector: 304SS, tipping bucket: ABS |
| Tipping bucket | Single |
| Heating (optional) | Heating power: approx.350W Heating voltage: 220VAC |
| Collector filter | Removable filter (prevent leaves and sundries) optional |
| Weight (unpacked) | 3.5kg |