



# GMX500 COMPACT WEATHER STATION



The Munro range of compact weather stations is designed and manufactured by Munro Instruments. Munro products use reliable, high quality instruments to provide accurate meteorological information in a wide variety of applications.

**Features:**

**Temperature, humidity, pressure.** A combined instrument mounted inside three double louvered, naturally aspirated radiation shields with no moving parts. The results are high performance across each measurement over long periods of time.

**Wind.** Wind speed and direction measurements are provided via an ultrasonic sensor and the addition of an electronic compass provides apparent wind measurements. Average speed and direction together with WMO averages and gust data is also provided. Add GPS (optional) to provide true wind and other features.

**Temperature, Humidity & Pressure:**

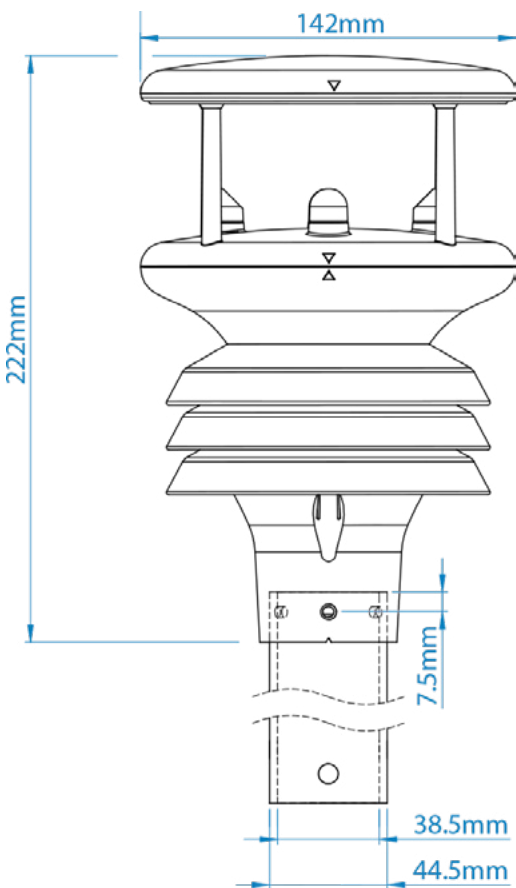
- Air Pressure / Temperature
- Relative / Absolute humidity
- Naturally aspirated UV stable radiation shield
- Protection against wind-blown precipitation/dust.

**Wind:**

- Wind speed & direction
- Apparent and true wind (with GPS)
- WMO wind averages and gust
- Compass

**GPS (Option):**

- Height above sea level m
- Sunrise/sunset
- Position of the sun
- Twilight
- Solar Noon
- MSL pressure.



# GMX500

**Parameters:**

- Temperature °C/°F/°K
- Relative humidity % RH
- Barometric pressure hPa, mbar, mm, Hg, In Hg
- Wet bulb temperature °C/°F/°K
- Absolute humidity g/m<sup>3</sup>
- Air density kg/m<sup>3</sup>
- Wind speed m/s, km/hr, mph, kts, ft/min
- Wind direction °
- Wind chill °C/°F/°K
- True/apparent wind
- Angle of Tilt
- Outputs, RS232, 422, 485 (ASCII), SDI-12, NMEA, MODBUS, Analogue (option).

**All Models Feature:**

- Quality Measurements
- Lightweight and Robust
- Low Power Mode
- Free of Charge Software
- Proven Reliability
- Compact Integrated Design
- Real Time Output
- Easy Installation
- Customer Support.

**Application:**

- Building and Industrial Controls
- Authorities • Transport
- Coastal • Agricultural
- Safety • Educational
- Commercial • Energy.

# GMX500

## Technical Specifications

WIND SPEED	
Range	0.01 m/s to 60 m/s
Accuracy	±3% to 40 m/s, ±5% to 60 m/s
Resolution	0.01 m/s
Starting Threshold	0.01 m/s
Sampling Rate	1Hz
Units	m/s, km/hr, mph, kts, ft/min
WIND DIRECTION	
Range	0 - 360°
Accuracy	±3% to 40 m/s, ±5% to 60 m/s
Resolution	1°
Starting Threshold	0.05 m/s
Sampling Rate	1 Hz
Units	Degrees
TEMPERATURE	
Range	-40°C to +70°C
Resolution	0.1
Accuracy	± 0.3°C @ 20°C
Sampling Rate	1 Hz
Units	°C, °F, °K
HUMIDITY	
Range	0-100%
Resolution	1%
Accuracy	± 2% @ 20°C (10%-90% RH)
Sampling Rate	1 Hz
Units	% Rh, g/m <sup>3</sup>
DEW POINT	
Range	-40°C to +70°C
Resolution	0.1
Accuracy	± 0.3°C @ 20°C
Units	°C, °F, °K
Sampling Rate	1 Hz
PRESSURE	
Range	300 to 1100 hPa
Resolution	0.1 hPa
Accuracy	± 0.5 hPa @ 25°C
Sampling Rate	1 Hz
Units	hPa, mbar, mmHg, inHg
OUTPUTS	
Output rate	1 /s, 1 /min, 1 /hr
Digital Comms Modes	Serial RS232, RS422, NMEA, RS485, MODBUS, SDI-12, ASCII
Analogue Outputs	Available via separate optional device
POWER	
Power Supply	5-30 VDC
Power(Nominal) 12VDC	25mA continuous high mode. 0.7 mA eco-power mode (1 hour polled)
ENVIRONMENTAL CONDITIONS	
IP Rating	IP66
Operating Temperature Range	-35°C to +70°C
EMC Standard	BS EN 61326-2-1:2013 FCC, CFR Title 47, Part 15, Subpart device B, Class A digital device
CE Marketing	YES
RoHS compliant	YES
Weight	0.7Kg
Origin	UK