



WINDMASTER-PRO 3-AXIS ULTRASONIC WIND SPEED & DIRECTION

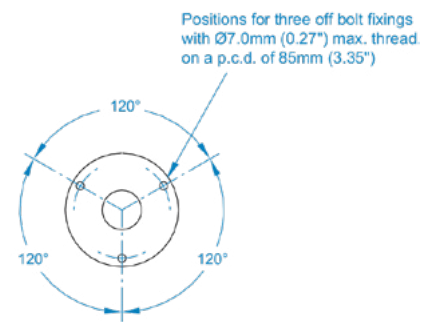
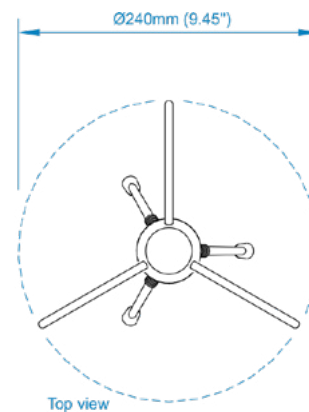
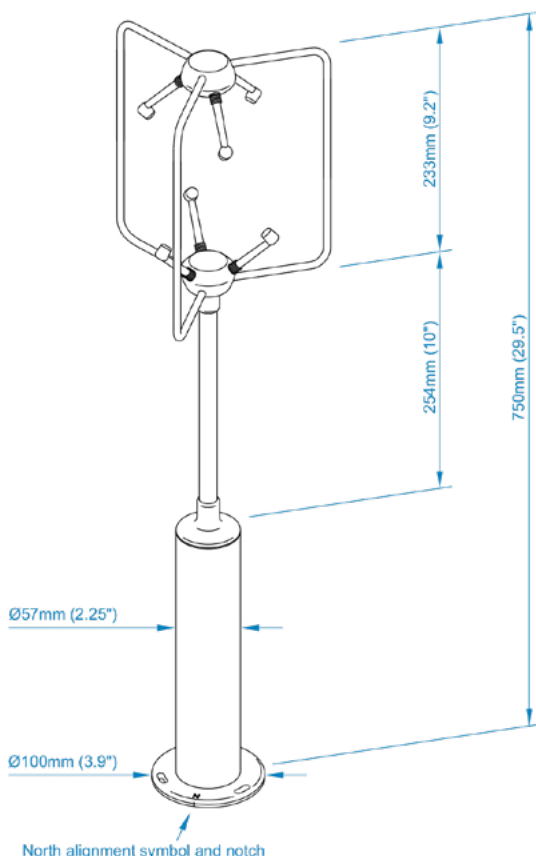


Product Description

The MUNRO WindMaster Pro is a precision anemometer offering three-axis wind measurement data. This instrument will monitor wind speeds of 0-65m/s and provides sonic temperature, speed of sound and U, V & W vector outputs at 32Hz as standard. The unit also features improved vertical (W) resolution and speed of sound accuracy and less distortion due to wind loading. Each

WindMaster Pro can be calibrated with an optional MUNRO wind tunnel test to provide optimum performance. Optional analogue inputs and outputs plus a PRT are available with 14 bit resolution.

This anemometer is of stainless steel external construction & is particularly suitable for precision wind measurement applications requiring 3-axis data involving high wind speeds.



WINDMASTER-PRO

Key Features:

- Precision 3-axis sonic anemometer
- 32Hz output rate
- 0-65m/s wind speed
- 0-360° wind direction
- U, V, W vector outputs
- Sonic temperature output
- Stainless steel construction
- Optional custom calibration.

Typical Applications:

- Meteorological Systems
- Flux Systems
- Structural Safety
- Wind Profiling
- Marine Research
- Wind Turbine Site Survey.

Technical Specifications

WIND SPEED	
Range	0-65 m/s
Resolution	0.01 m/s
Accuracy	<1.5% RMS @12 m/s <1% RMS @12 m/s (Custom)
WIND DIRECTION	
Range	0 - 360°
Resolution	0.1°
Accuracy	2° @12 m/s 0.5° @12 m/s (Custom)
SONIC TEMPERATURE	
Range	-40°C to +70°C
Resolution	0.01°C
Accuracy	-20°C to +30°C within ±2°C of ambient temperature
SPEED OF SOUND	
Range	300-370 m/s
Resolution	0.01 m/s
Accuracy	< ±0.5% @ 20°C
MEASUREMENT	
Internal sample rate	32 Hz
Output Parameters	1, 2, 4, 8, 10, 16, 20 & 32 Hz
Units of Measure	m/s, mph, kph, knots, ft/min
Formats	UVW or Polar
DIGITAL OUTPUT	
Communication	RS232, 422, 485, Binary
Baud Rates	2400 - 57600
Format	ASCII
ANALOGUE OUTPUTS - OPTIONAL	
Resolution 14 bits	4 channels available
Selectable Range	User selectable full scale wind speed
Output type	0-20mA, 4-20mA, 0-5 V, ±2.5 V, ±5 V
ANALOGUE INPUTS - OPTIONAL	
Resolution 14 bits	Up to 4 single ended or 2 differential plus PRT 100 input
Input Type	±5 V
POWER REQUIREMENT	
Anemometer	9-30 VDC (55mA @ 12 VDC)
MECHANICAL	
Weight / Size	1.7kg / 750mm x 240mm
ENVIRONMENTAL	
Protection Class	IP65
Operating Temp. / Humidity	-40°C to +70°C / < 5% to 100% RH